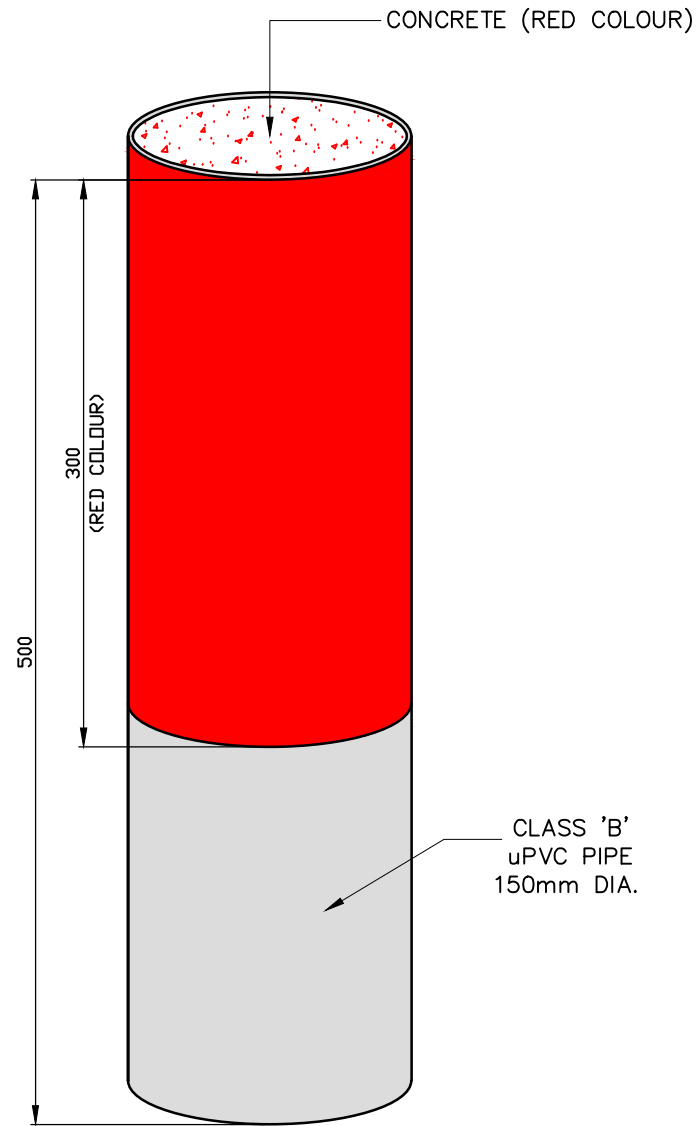
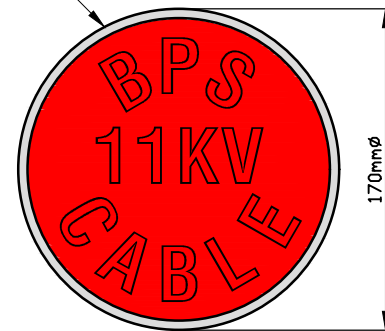


CLASS 'B'
uPVC PIPE
ø150mm

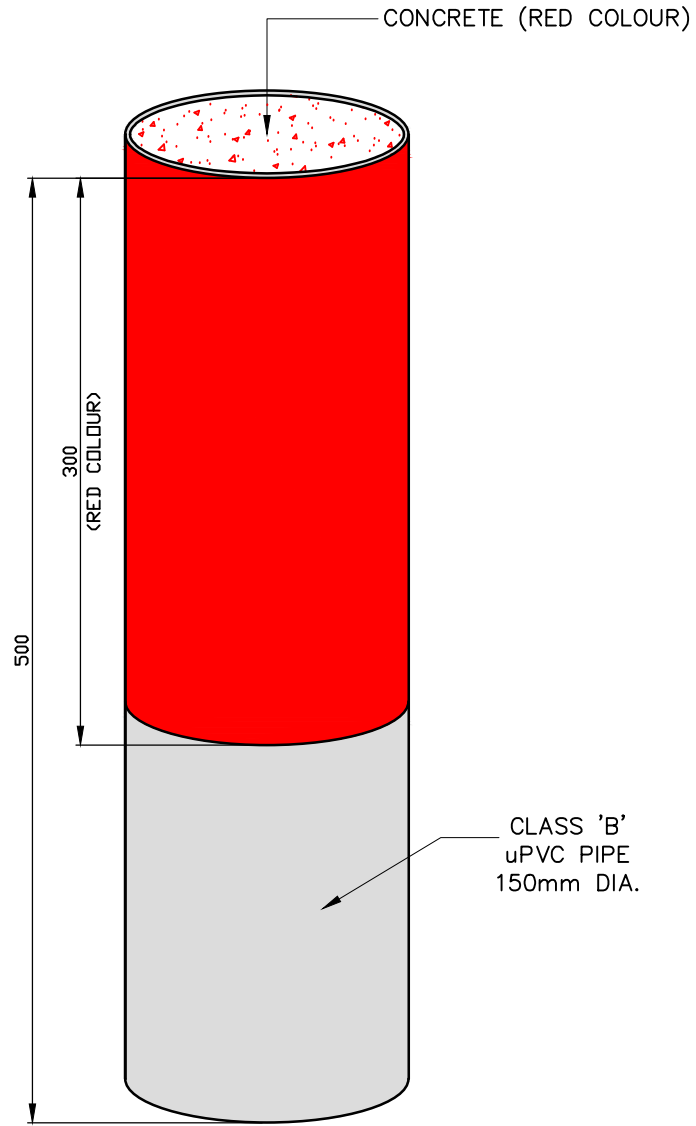
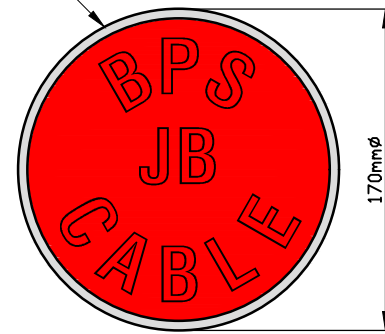


All dimension are in millimeters
unless otherwise specified



GENERAL NOTES	REV	DESCRIPTION	DATE	DWN	CHK	APPR	DRAWING No. BPC-01-11 201-CM TITLE: 11kV CABLE ROUTE CONCRETE MARKER	SIZE: A3
	B	REVISED TITLE BLOCK	27.06.19	CHRIS	Z.P.	C.Y.		SCALE: N.T.S.
	A	ISSUE FOR TENDER	13.11.17	CHRIS	Z.P.	C.Y.		REV: B
	O	FIRST ISSUE	01.05.17	CHRIS	Z.P.	W.V.		

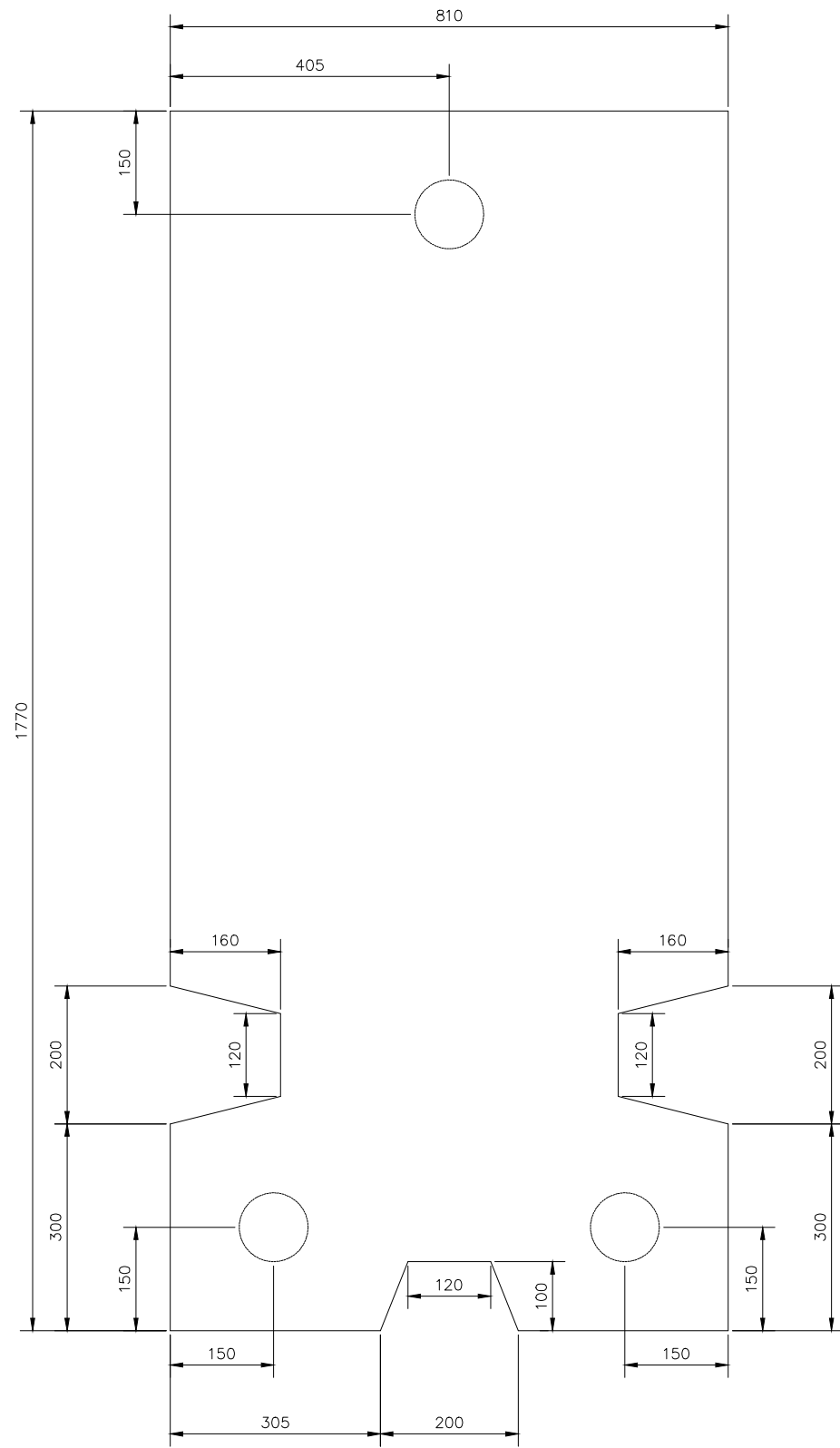
CLASS 'B'
uPVC PIPE
ø150mm



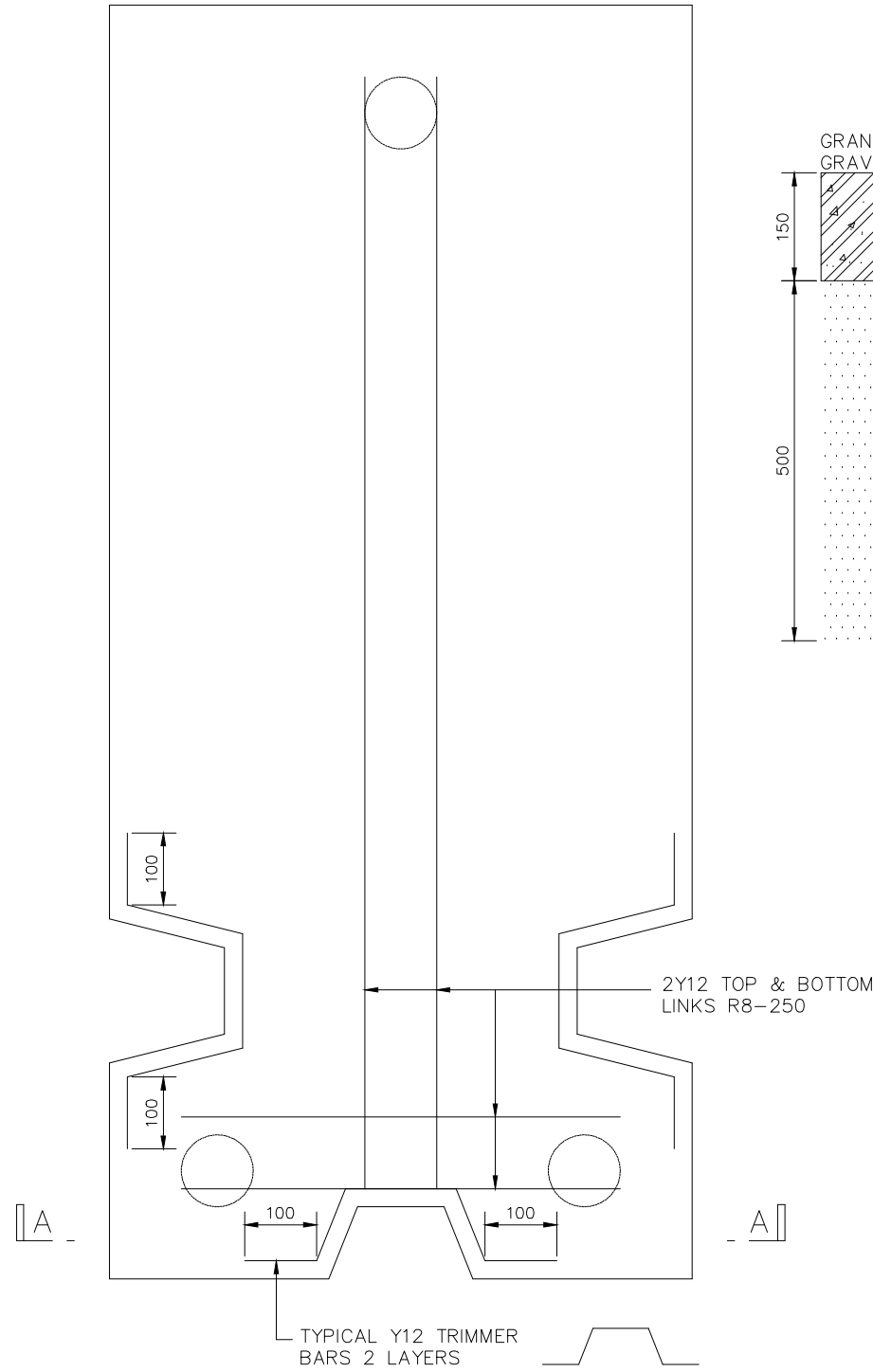
All dimension are in millimeters
unless otherwise specified



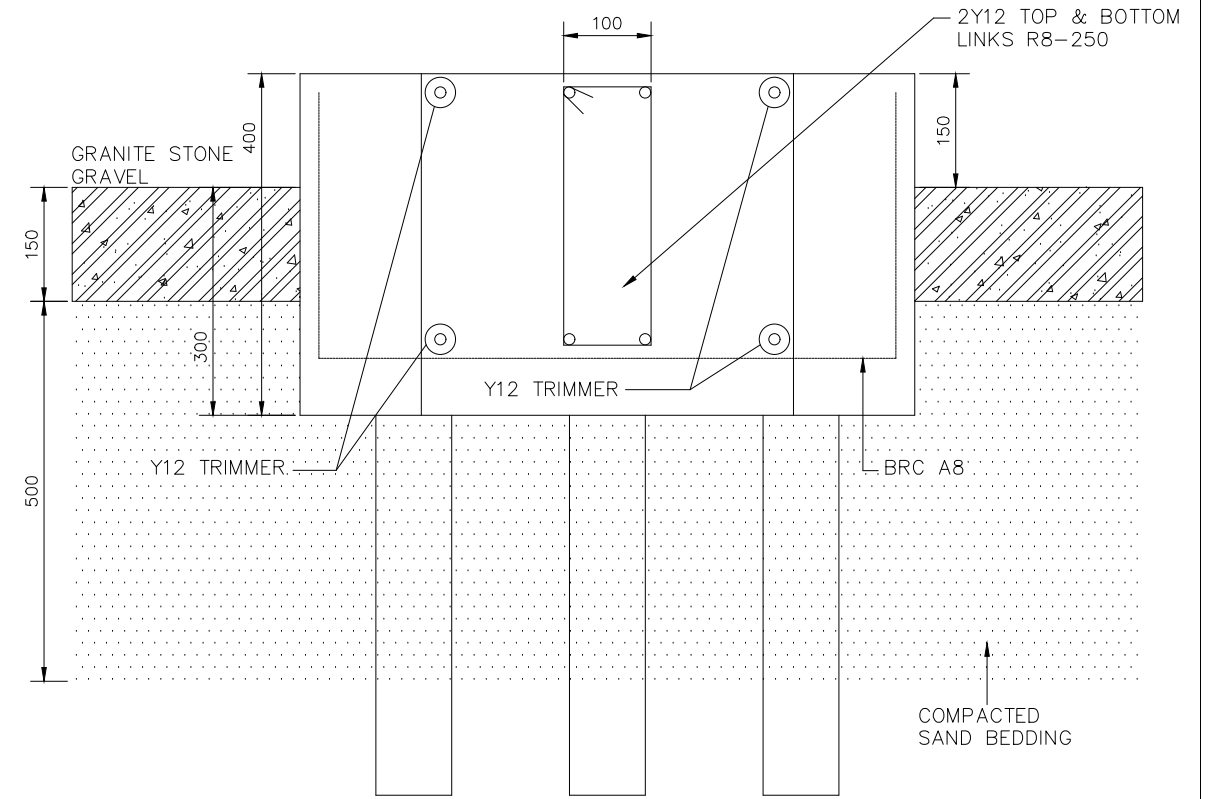
GENERAL NOTES	REV	DESCRIPTION	DATE	DWN	CHK	APPR	DRAWING No. BPC-01-11 202-CM TITLE: 11kV CABLE JOINT BAY CONCRETE MARKER	SIZE: A3
	B	REVISED TITLE BLOCK	27.06.19	CHRIS	Z.P.	C.Y.		SCALE: N.T.S.
	A	ISSUE FOR TENDER	13.11.17	CHRIS	Z.P.	C.Y.		REV: B
	0	FIRST ISSUE	01.05.17	CHRIS	Z.P.	W.V.		



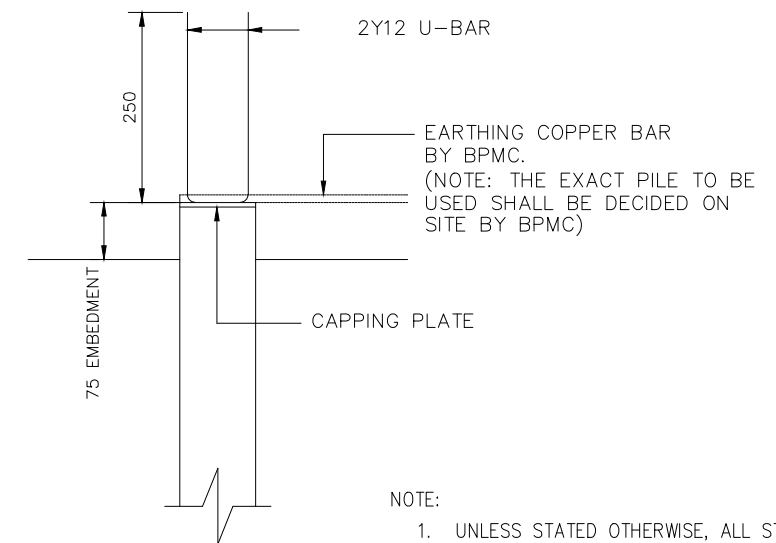
SWITCH GEAR PLINTH PILING



SWITCH GEAR PLINTH REINFORCEMENT



SECT A-A



PILE HEAD

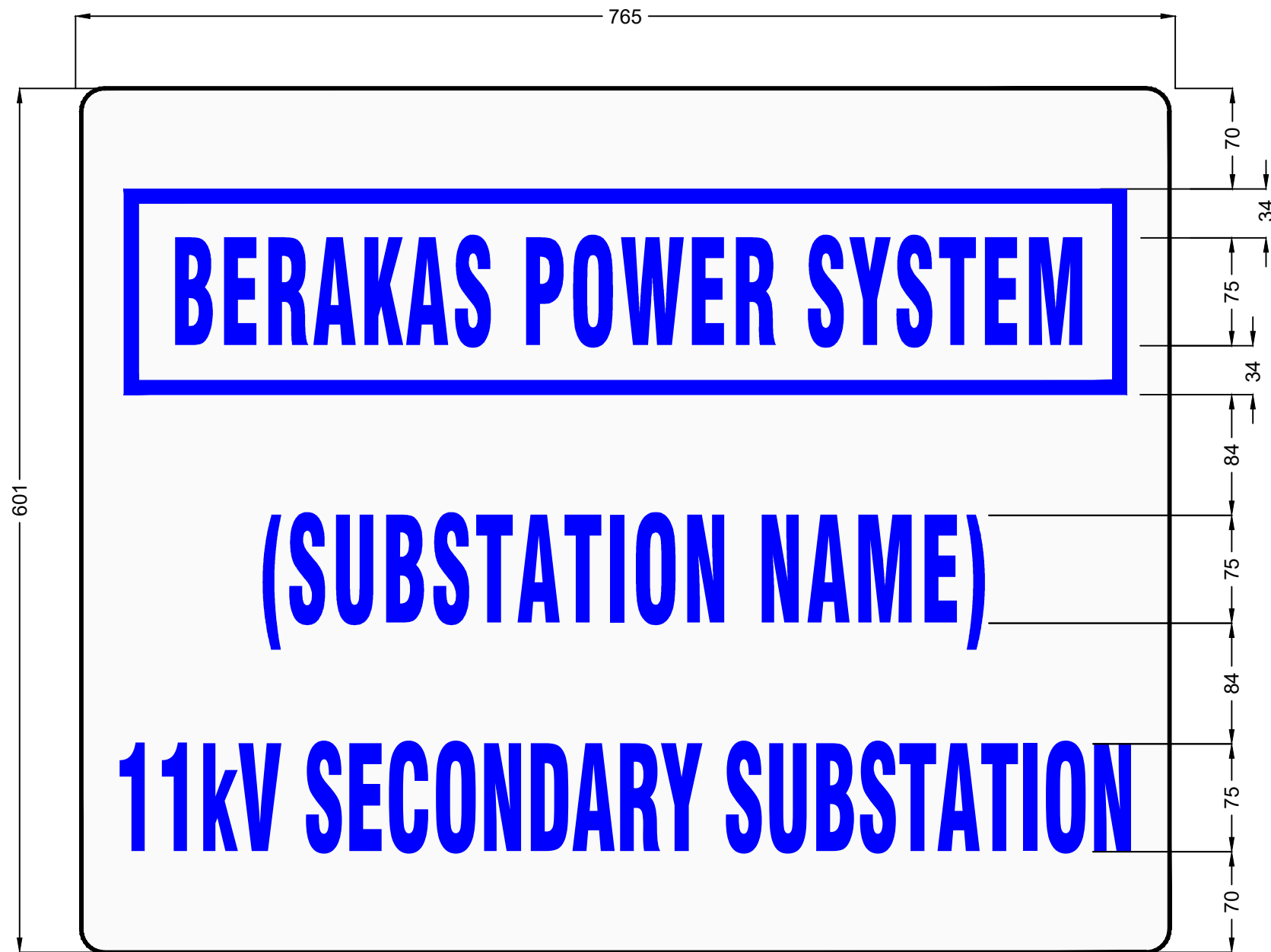
- NOTE:
- UNLESS STATED OTHERWISE, ALL STRUCTURAL CONCRETE SHALL BE GRADE 25 OPC BY WEIGHT BATCHING.
 - ALL PILES TO BE 125mm ϕ X 5.6mm THK MILD STEEL PIPES.

GENERAL NOTES

REV	DESCRIPTION	DATE	DRAWN	CHECKED	APPR'D
E	REVISED LOGO AND DRAWING TITLE NO.	15/02/2021	CHRIS	Z.P.	C.Y.
D	PREVIOUSLY WAS BPS-00-10 137	27/04/2017	DTZ	BPMC	BPMC
C	MODIFIED SECTION A-A	29/05/2006	CHRIS	L.W.S	J.B.
B	REVISED SECTION A-A	05/04/2006	CHRIS	L.W.S	J.B.
A	REVISED DRAWING NUMBER	17/02/2003	CHRIS	L.W.S	J.B.
0	NEW ISSUE DRAWING	10/02/2003	CHRIS	L.W.S	J.B.




DRAWING NO.:	BPC-00-10 137-CM	DATE:	10/02/2003
DRAWING TITLE:	FOUNDATION DETAILS FOR SCHNEIDER RINGMASTER 2R-T RING MAIN UNIT	REV:	D
		SCALE:	1:10
		SHEET NO.:	1/1



NOTES:

1. LINE THICKNESS SHALL BE 10mm
2. INSCRIPTION SHALL BE BLUE IN WHITE BACKGROUND
3. SIGNBOARD SHALL FABRICATED FROM ALUMINIUM PLATE 3MM THICK

All dimension are in millimeters unless otherwise specified							 شركة كواس براكس سنديريز برحد BERAKAS POWER COMPANY SDN BHD <i>Providing Power and Expertise to Serve You</i>
	A	UPDATE TITLE BLOCK	13/09/19	CHRIS	Z.P.	C.Y.	DRAWING No. BPC-00-10 072-CM
	0	FIRST ISSUE	15/05/17	CHRIS	Z.P.	W.V.	
	REV	DESCRIPTION	DATE	DWN	CHK	APPR	TITLE: SUBSTATION SIGN BOARD 11kV SECONDARY SUBSTATION
GENERAL NOTES							SIZE: A3 SCALE: 1:25 REV: B